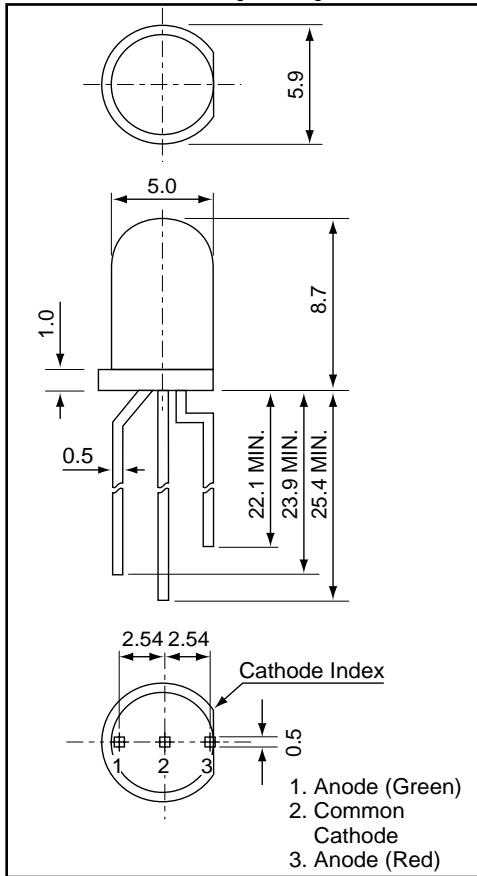




Weight: 0.35 g Unit: mm



# AND116SG

## Dual Color

### T-1 3/4 (5mm)

#### Features

- Dual color: Red (GaAsP) / Green (GaP)
- Common cathode
- All plastic mold type, milky diffused lens
- Low drive current: 15 to 20 mA
- Fast response time, capable of pulse operation

#### Optical Characteristics ( $T_a = 25^\circ\text{C}$ )

Color		Lens Desc.	Axial Luminous Intensity (mcd)		Test Condition ( $I_F$ -mA)	Viewing Angle $2\theta_{1/2}$ (deg)
LED	Lens		Min.	Typ.		
Red	Milky	Diffused	10	12	20	70
Green	Milky	Diffused	10	12	20	70

#### Absolute Maximum Ratings ( $T_a = 25^\circ\text{C}$ )

Characteristics	Symbol	Rating		Unit
		Red	Green	
Forward Current	$I_F$	25	25	mA
Reverse Voltage	$V_R$	5	5	V
Power Dissipation	$P_D$	75	75	Total Package
Operating Temperature	$T_{Opr}$	-25 to +85		$^\circ\text{C}$
Storage Temperature Range	$T_{Stg}$	-25 to +100		$^\circ\text{C}$

#### Electro-Optical Characteristics ( $T_a = 25^\circ\text{C}$ )

Characteristics	Symbol	Test Condition	Red		Green		Unit
			Typ.	Max.	Typ.	Max.	
Forward Voltage	$V_F$	$I_F = 20\text{mA}$	2.1	3.0	2.1	3.0	V
Reverse Current	$I_R$	$V_R = 4\text{V}$	-	100	-	100	$\mu\text{A}$
Peak Emission Wavelength	$\lambda_p$	$I_F = 20\text{mA}$	635	-	565	-	nm
Spectral Line Half Width	$\lambda$	$I_F = 20\text{mA}$	40	-	25	-	nm

#### Precaution

Please be careful of the following:

1. Soldering temperature:  $260^\circ\text{C}$  max; Soldering time: 5 sec. max; Soldering portion of lead: up to 1.6 mm from the body of the device.
2. The lead can be formed up to 5 mm from the body of the device without forming stress. Soldering should be performed after the lead forming.

