

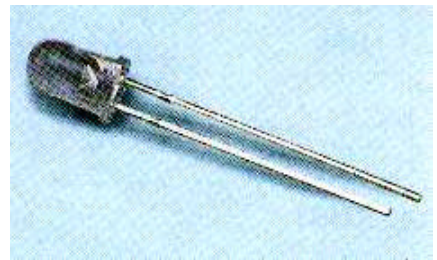


## **Features**

- Popular T-1 3/4package.
- High efficiency.
- General purpose leads.
- Selected minimum intensities.
- Available on tape and reel.
- Pb free

## **Descriptions**

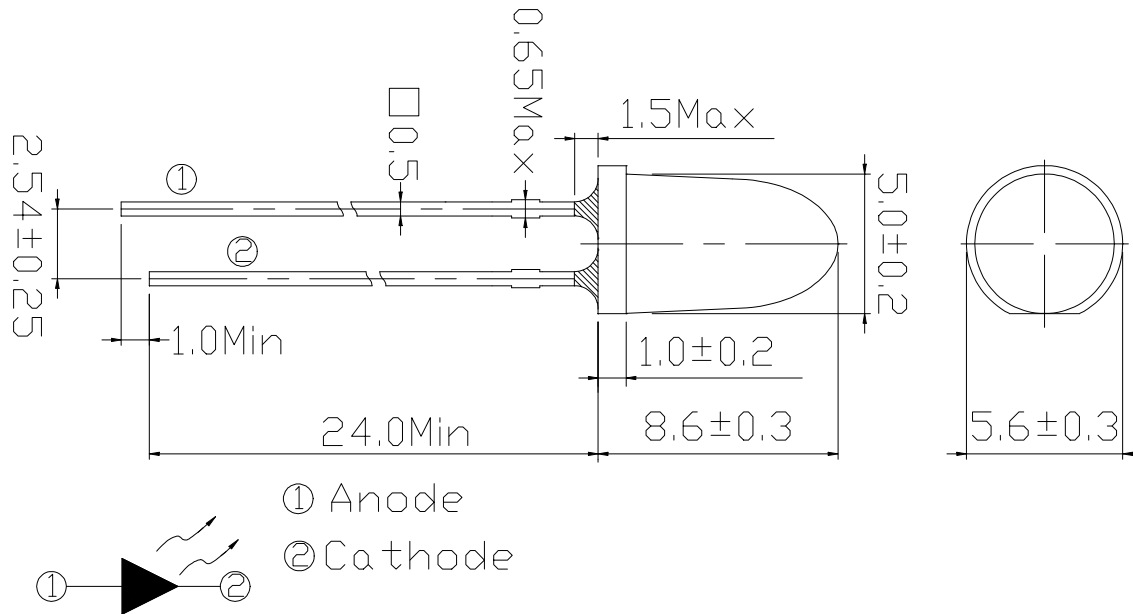
- The series is specially designed for applications requiring higher brightness.
- The LED lamps are available with different colors, intensities, epoxy colors, etc.
- Superior performance in outdoor environment



## **Applications**

- Status indicators.
- Commercial use.
- Advertising Signs.
- Back lighting.

**Device Material: ALGaInP**  
**Emitted Color: Hyper Red**  
**Lens Color: Water Clear**

**Package Dimensions**

**Notes:**

- \* Other dimensions are in millimeters, tolerance is 0.25mm except being specified.
- \* Protruded resin under flange is 1.5mm Max LED.
- \* Bare copper alloy is exposed at tie-bar portion after cutting.

**Absolute Maximum Rating ( $T_a=25^\circ\text{C}$ )**

Parameter	Symbol	Absolute Maximum Rating	Unit
Forward Current	$I_F$	50	mA
Pulse Forward Current (Duty 1/10 @ 1KHz)	$I_{FP}$	200	mA
Operating Temperature	$T_{opr}$	-40 ~ +85	
Storage Temperature	$T_{stg}$	-40 ~ +100	
Electrostatic Discharge	ESD	2000	V
Soldering Temperature	$T_{sol}$	260 $\pm 5$	
Power Dissipation	$P_d$	120	mW
Reverse Voltage	$V_R$	5	V


**Electro-Optical Characteristics (T<sub>a</sub>=25 )**

Parameter	Symbol	*Chip Rank	Min.	Typ.	Max.	Unit	Condition
Luminous Intensity	I <sub>V</sub>					mcd	I <sub>F</sub> =20mA
		A7	2393	3589	--		
Viewing Angle	2 1/2	--	--	6	--	deg	
Peak Wavelength	p	--	--	632	--	nm	
Dominant Wavelength	d	--	--	624	--		
Spectrum Half width		--	--	20	--		
Forward Voltage	V <sub>F</sub>	--	1.7	2.0	2.4	V	
Reverse Current	I <sub>R</sub>	--	--	--	10	μ A	V <sub>R</sub> =5V

