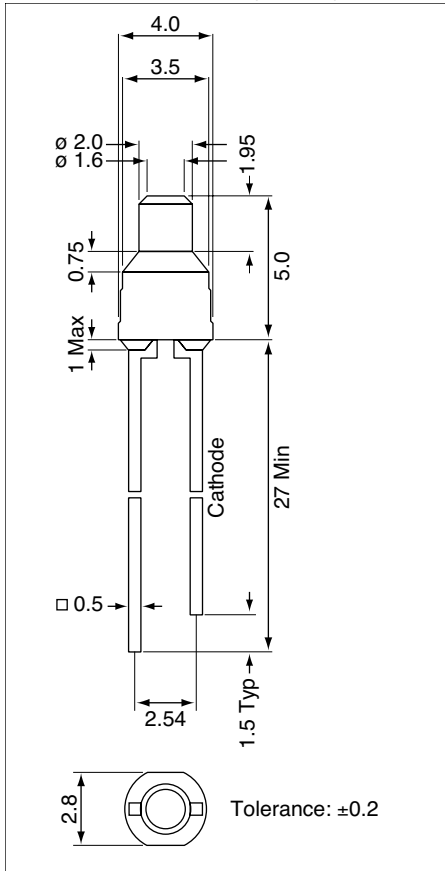




Weight: 0.15 g Unit: mm



AND226G

Special Shape

2mm Flat Top

Features

- Low power requirement
- Special shape
- All plastic molded lens
- GaP – Green
- RoHS Compliant

Optical Characteristics (T = 25°C)

Part Number	Color		Lens Desc.	Axial Luminous Intensity (mcd)		Test Condition (I _F = mA)	Viewing Angle 2θ1/2 (deg)
	LED	Lens		Min.	Typ.		
AND226G	Green	Green	Diffused	2.0	4.0	10	70

Absolute Maximum Ratings (T_A = 25°C)

Characteristics	Symbol	Rating	Unit
Forward Current	I _F	25	mA
Reverse Voltage	V _R	5	V
Power Dissipation	P _D	105	mW
Operating Temperature	T _{Opr}	-40 to +85	°C
Storage Temperature Range	T _{Stg}	-40 to +85	°C

Electro-Optical Characteristics (T_A = 25°C)

Characteristics	Symbol	Test Condition	AND226G		Unit
			Typ.	Max.	
Forward Voltage	V _F	I _F = 20mA	2.2	2.5	V
Reverse Current	I _R	V _R = 5 V	–	10	μA
Peak Emission Wavelength	λ _p	I _F = 20mA	565	–	nm
Spectral Line Half Width	λ	I _F = 20mA	30	–	nm

Precaution

Please be careful of the following:

1. Soldering temperature: 260°C max; Soldering time: 3 sec. max; Soldering portion of lead: up to 2 mm from the body of the device.
2. The lead can be formed up to 5 mm from the body of the device without forming stress. Soldering should be performed after the lead forming.

Product specifications contained herein may be changed without prior notice.

It is therefore advisable to contact Purdy Electronics before proceeding with the design of equipment incorporating this product.

