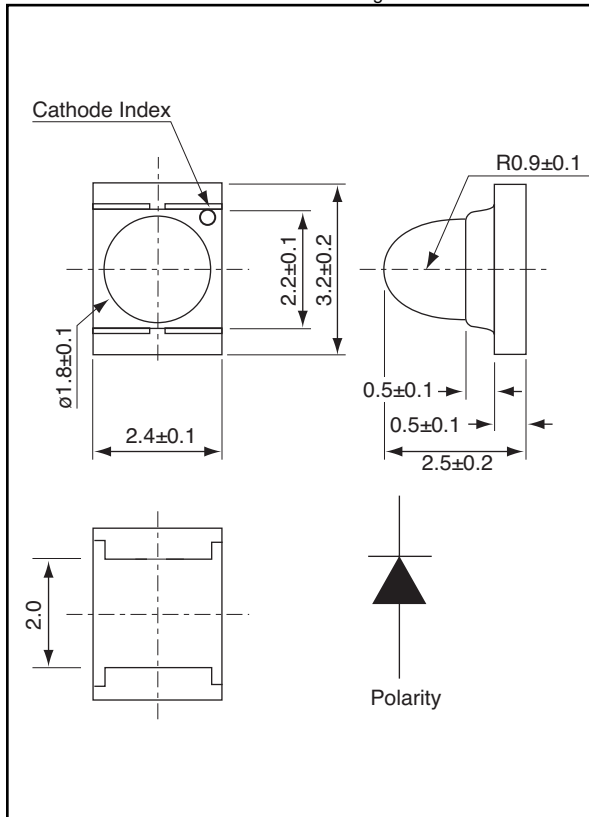




Weight: 2.0 Unit: mm



Product specifications contained herein may be changed without prior notice. It is therefore advisable to contact Purdy Electronics before proceeding with the design of equipment incorporating this product.

# AND5G

## GaP Ultra Bright Green Light Emission Surface Mount Package

### Features

- Small package size with dome lens
- 3.2 (l) x 2.4 (w) x 2.6 (h) size
- Suitable for REFLOW soldering
- Recommended Forward Current: 10 mA
- RoHS Compliant

### Maximum Ratings (T<sub>a</sub> = 25°C)

Characteristics	Symbol	Rating	Unit
Forward Current	I <sub>F</sub>	30	mA
Reverse Voltage	V <sub>R</sub>	4	V
Power Dissipation	P <sub>D</sub>	100	mW
Operating Temperature Range	T <sub>Opr</sub>	-30 to 85	°C
Storage Temperature Range	T <sub>Stg</sub>	-30to 90	°C

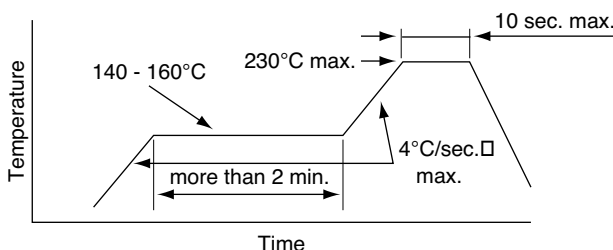
### Electro-Optical Characteristics (T<sub>a</sub> = 25°C)

Characteristics	Symbol	Test Condition	Minimum	Typical	Maximum	Unit
Forward Voltage	V <sub>F</sub>	I <sub>F</sub> = 20 mA	-	2.1	2.4	V
Reverse Current	I <sub>R</sub>	V <sub>R</sub> = 4 V	-	-	100	μA
Luminous Intensity	I <sub>V</sub>	I <sub>F</sub> = 20 mA	70	120	-	mcd
Peak Emission Wavelength	I <sub>P</sub>	I <sub>F</sub> = 20 mA	-	570	-	nm
Spectral Line Half Width	Δλ	I <sub>F</sub> = 20 mA	-	30	-	nm
Dominant Wavelength	λ <sub>d</sub>	I <sub>F</sub> = 20 mA	-	571	-	nm
Full Viewing Angle	θ	I <sub>V</sub> = 1/2 Peak	-	30	-	degree

### Precaution

Please be careful of the following:

- Manual soldering: maximum temperature of iron tip: 260°C max.  
Soldering time: within 5 sec. per solder-land  
Soldering portion of lead: up to 1.6 mm from the body of the device
- Reflow solder: recommended condition is as follows:



The following soldering patterns are recommended for reflow soldering

