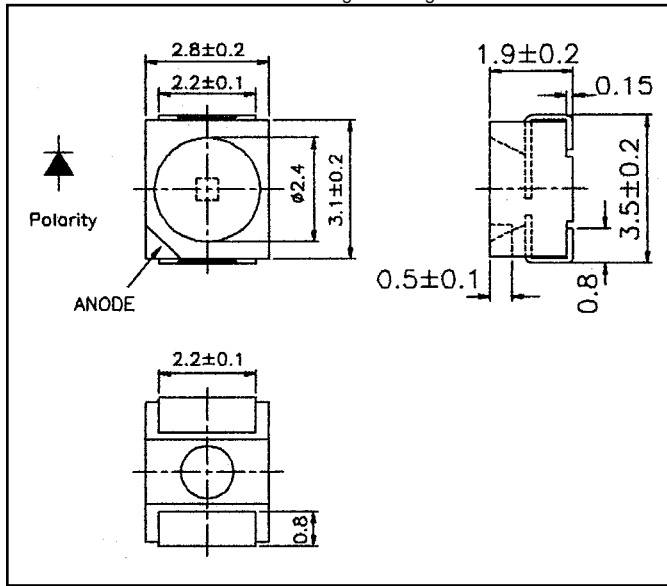




Weight: 2.0 mg Unit: mm



AND6GA

InGaN Ultra Bright Green Top LEDS

Features

- P-LLC-2 package with optical indicator
- Low (2mA) current operation
- Wide viewing angle
- Inter reflector
- Suitable for vapor phase reflow, infrared reflow, and wave solder processes
- Compatible w/automatic placement equipment
- Ideal for (LCD) backlight and light pipe applications

Maximum Ratings (T_a = 25°C)

Characteristics	Symbol	Rating	Unit
Forward Current	I _F	30	mA
Reverse Voltage	V _R	5	V
Power Dissipation	P _D	120	mW
Operating Temp. Range	T _{Op}	-40 to 85	°C
Storage Temp. Range	T _{Stg}	-40 to 90	°C

Product specifications contained herein may be changed without prior notice. It is therefore advisable to contact Purdy Electronics before proceeding with the design of equipment incorporating this product.

Electro-Optical Characteristics (T_a = 25°C)

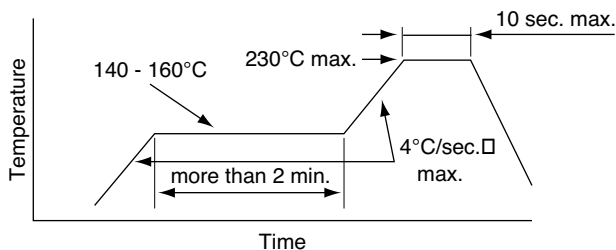
Characteristics	Symbol	Test Condition	Minimum	Typical	Maximum	Unit
Forward Voltage	V _F	I _F = 20 mA	3.1	3.5	3.8	V
Reverse Current	I _R	V _R = 5 V	-	-	10	µA
Luminous Intensity	I _V	I _F = 20 mA	110	170	-	mcd
Peak Emission Wavelength	I _P	I _F = 20 mA	-	525	-	nm
Spectral Line Half Width	ΔI	I _F = 20 mA	-	45	-	nm
Dominant Wavelength	I _d	I _F = 20 mA	-	530	-	nm
Full Viewing Angle	2 q 1/2	I _F = 20 mA	-	120	-	degree

Precaution

Please be careful of the following:

1. Manual soldering: maximum temperature of iron tip: 260°C max.
Soldering time: within 5 sec. per solder-land
Soldering portion of lead: up to 1.6 mm from the body of the device
2. Reflow solder: recommended condition is as follows:

3. Absolute secure counter measures against static electricity and surge should be taken when handling these products. It is recommended to use wrist band or antistatic gloves when handling these LEDs.



For reflow soldering

