

AND791GST/GST-LED

4 Lines x 40 Characters

Intelligent Character Display

The AND791GST/GST-LED devices are compact, LCD modules that have an on-board LCD controller and driver circuit. These devices can display 160 characters (numerals, letters, symbols and Kana letters), as well as eight custom characters.

Features

• RoHS Compliant

- AND791GST: Super Twist Technology
- AND791GST-LED: STN with LED backlight
- 5 x 7 Dots with Cursor
- Built-in Controller (KS0066 or equivalent)
- 5V Power Supply
- 1/16 Duty Cycle
- 4.2V LED Forward Voltage

Mechanical Characteristics

Item	Specification	Unit
Module Size	190.0 (W) x 54.0 (H) x 8.8 (D) (13.0 LED)	mm
Viewing Area	149 (W) x 29.5 (H)	mm
Character Size	2.78 (W) x 4.89 (H)	mm
Character Pitch	3.53 (W) x 5.49 (H)	mm
Dot Size	0.50 (W) x 0.55 (H)	mm
Dot Pitch	0.57 (W) x 0.62 (H)	mm

Absolute Maximum Ratings

Item	Symbol	Rating	Unit
Supply Voltage	V_{DD}	7.0	V
Input Voltage	V_{IN}	$0 \leq V_{IN} \leq V_{DD}$	V
LED Forward Current	I_F	960	mA
LED Reverse Voltage	V_R	8	V
LED Power Dissipation	P_D	4160	mW
Operating Temperature	T_{op}	0 to +50	°C
Storage Temperature	T_{stg}	-20 to +70	°C

Electrical Characteristics (TA = 25°C)

Item	Symbol	Condition	Min.	Typ.	Max.	Unit	
LCD Operating Voltage	$V_{DD}-V_O$	T=0°C	-	4.8	-	V	
		T=25°C	-	4.5	-	V	
		T=50°C	-	4.2	-	V	
Supply Voltage	$V_{DD}-V_{SS}$	-	4.7	5	5.3	V	
Supply Current	I_{DD}	-	-	5.2	10.8	mA	
Input Voltage	"High" Level	V_{IH}	-	2.2	-	V_{DD}	V
	"Low" Level	V_{IL}	-	0	-	0.6	V
Output Voltage	"High" Level	V_{OH}	-	2.4	-	-	V
	"Low" Level	V_{OL}	-	-	-	0.4	V

Product specifications contained herein may be changed without prior notice. It is therefore advisable to contact Purdy Electronics before proceeding with the design of equipment incorporating this product.

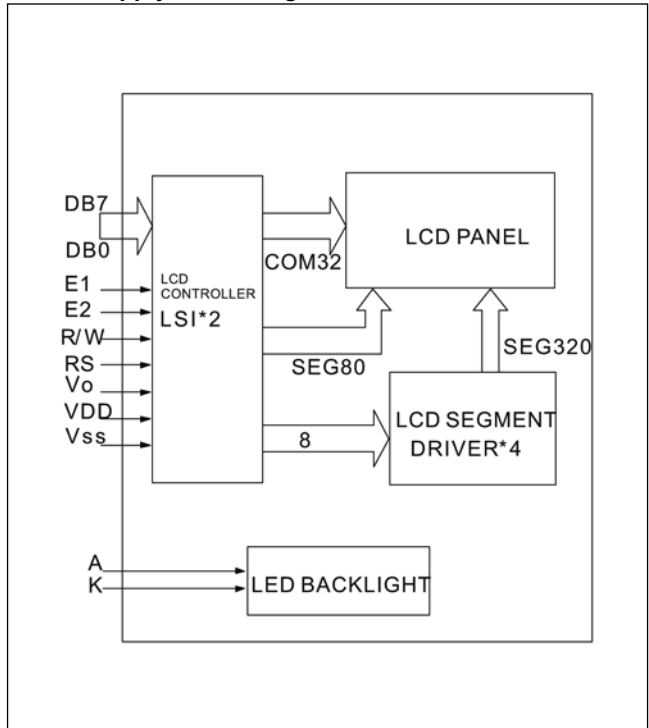


AND791GST/GST-LED Intelligent Character Display

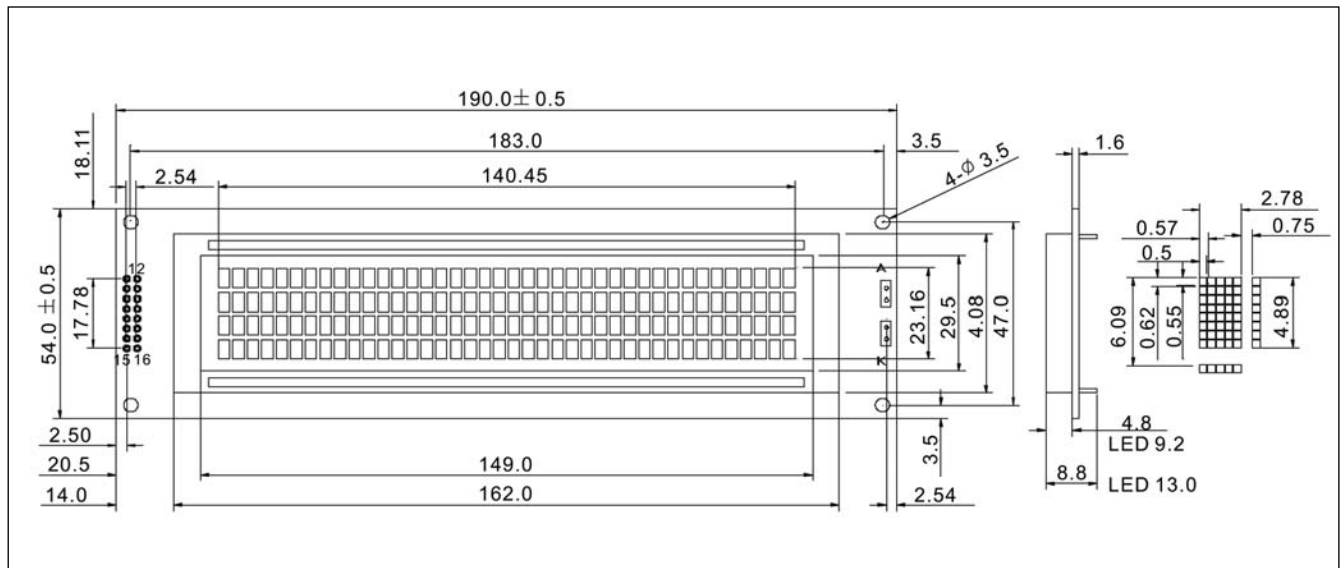
Connector Pin Assignment

Pin No.	Signal	Function
1	DB ₇	Data Bit 7
2	DB ₆	Data Bit 6
3	DB ₅	Data Bit 5
4	DB ₄	Data Bit 4
5	DB ₃	Data Bit 3
6	DB ₂	Data Bit 2
7	DB ₁	Data Bit 1
8	DB ₀	Data Bit 0
9	E ₁	Enable IC1
10	R/W	Read/Write
11	RS	Register Select
12	V _O	Contrast Adjustment
13	V _{SS}	0V
14	V _{DD}	5V
15	E ₂	Enable IC2
16	NC	No Control

Power Supply Block Diagram



Dimensional Outline





AND791GST/GST-LED Intelligent Character Display
