

D Series

FEATURES

- Compact design, substantial space saving
- Simple assembly
- CE approved types

The essential features of the thumb-wheel switch are its high reliability, precision and contact endurance.

Interswitch thumbwheel switches are used in machine tool control systems, measurement and test units, control and regulation systems, computer systems, sound and vision control systems, telecommunications, medical measurement systems, etc.



SPECIFICATIONS

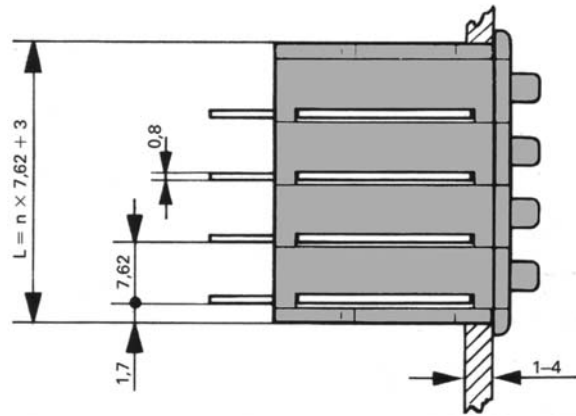
Rates current (resistive load)	1-175 mA AC/DC		
Max. current carrying capacity	1 A AC/DC		
Max. working voltage	max. 42 V AC/DC		
Test voltage	500 V DC		
Insulation resistance (+20°C)	10 ⁵ MOhm		
Contact resistance (ind. PCB)	100 MOhm		
Servicelife (switch operations)	min. 10 ⁵		
Permissible ambient temp.	-25° ... +70°C		
10 positions	Yes	Direct solder connections	Yes
16 positions	No	Edge connections	Yes
Decimal	Yes	Solder pins	Yes
Binary	Yes	Front mounting	Yes
PCB for diode mounting	Yes		

Product specifications contained herein may be changed without prior notice.

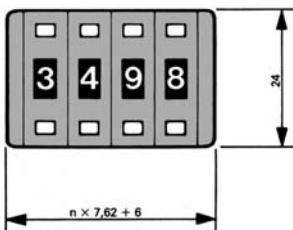
It is therefore advisable to contact Purdy Electronics before proceeding with the design of equipment incorporating this product.

Dimensions	
Width in mm	7.62
Height in mm	24
Mounting depth in mm	min. 33.5
Character height in mm	4

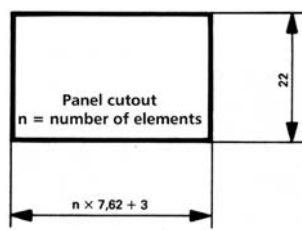
Top View



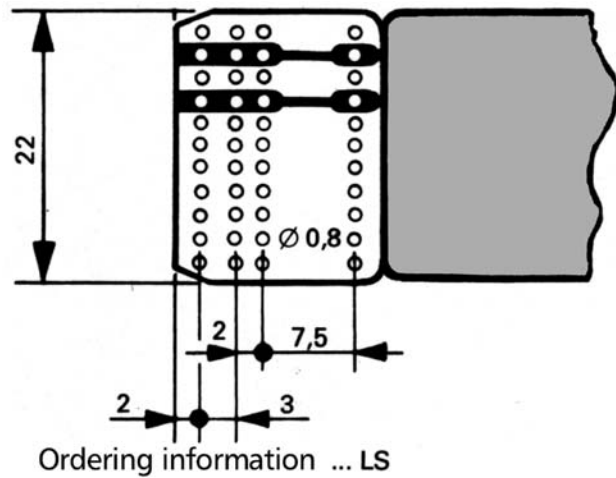
Front View



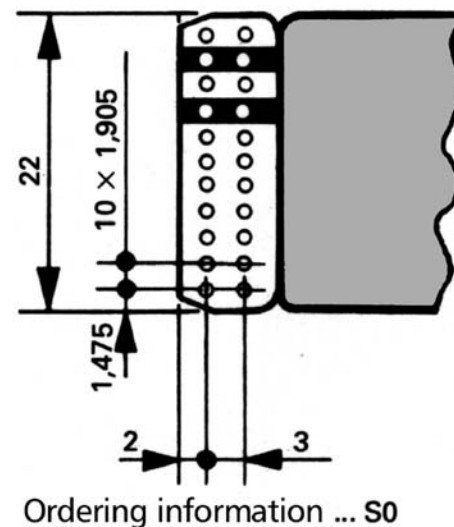
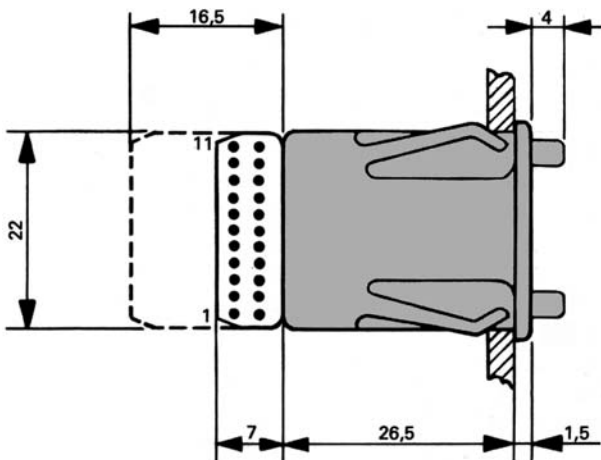
Panel Cut-Out



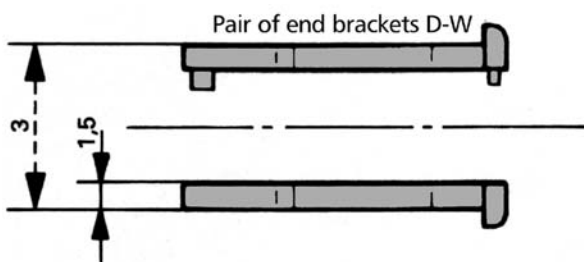
PCB Design



Side View

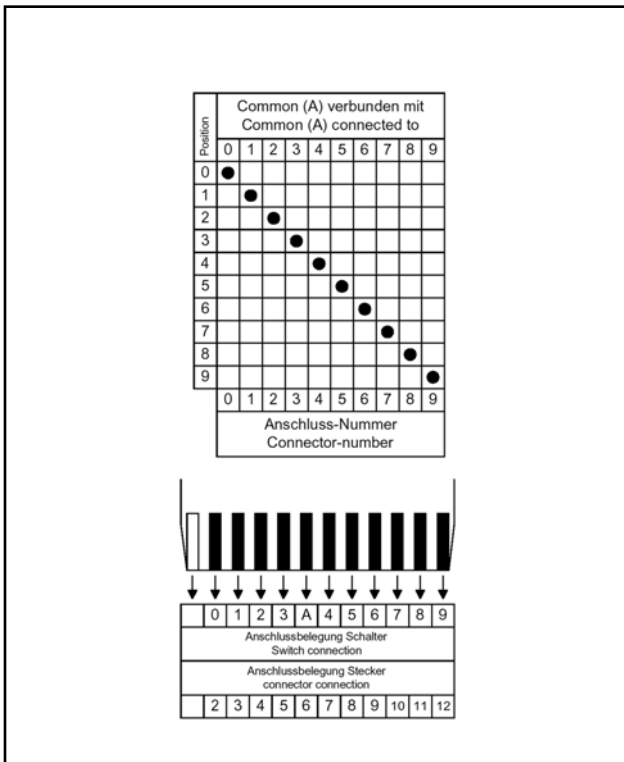


Division Plates and End Brackets



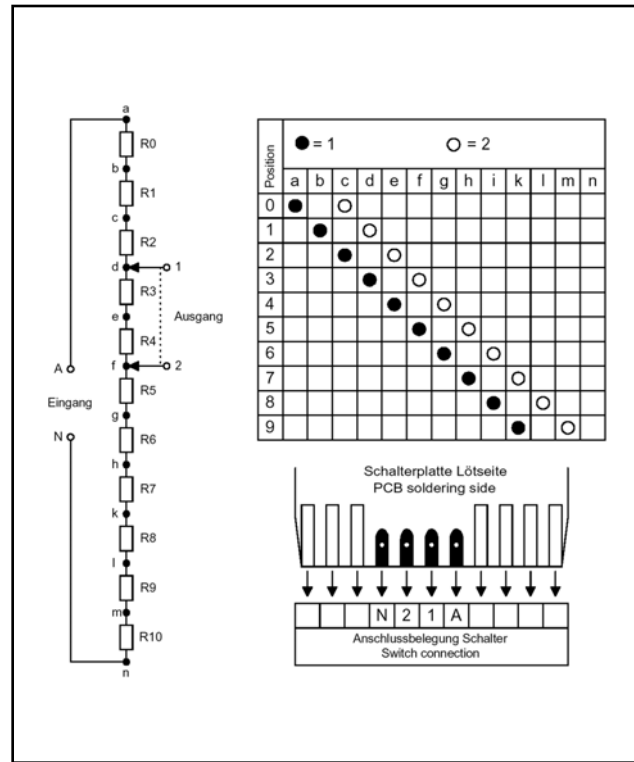
Code 010

Decimal 0-9



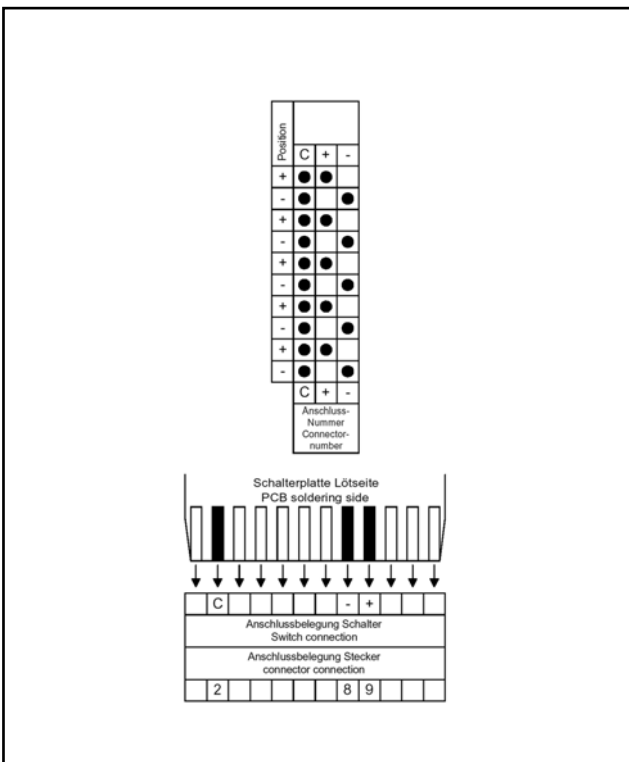
Code 618

Kelvin Variety Voltage Divider



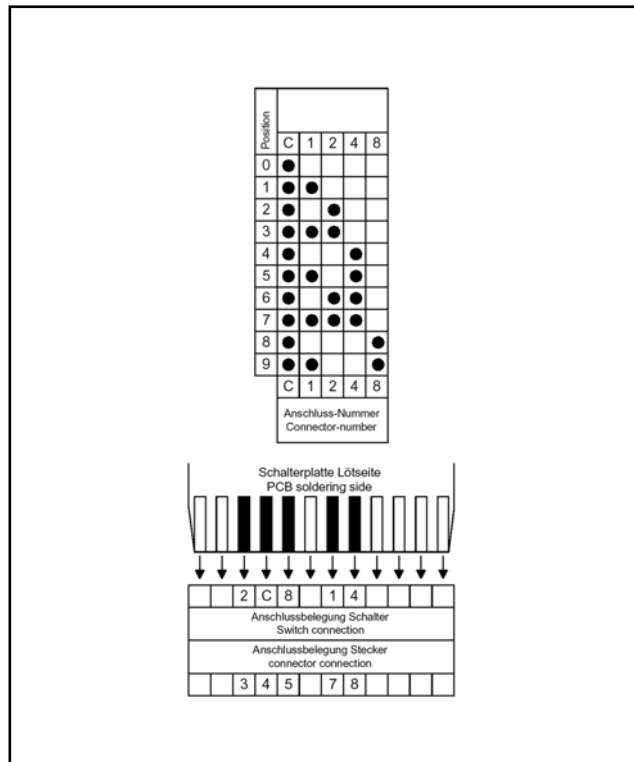
Code 701

Single pole change over switch



Code 731

BCD Positive



Code 861
BCD negative

