

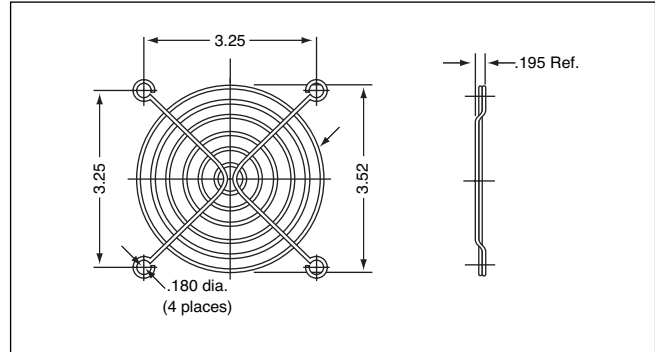
Finger Guards

All finger guards are constructed of C1010 wire, spot welded and nickel chrome plated. Conforms to UL 1/4" diameter plug gage test.

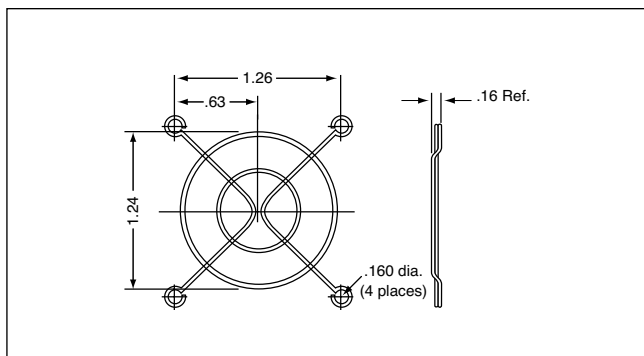
• RoHS Compliant

Part No.	Fan Compatibility
5514	40 mm
5516	60 mm
5508	80 mm
5520	92 mm
5504	120mm
5506	162 mm

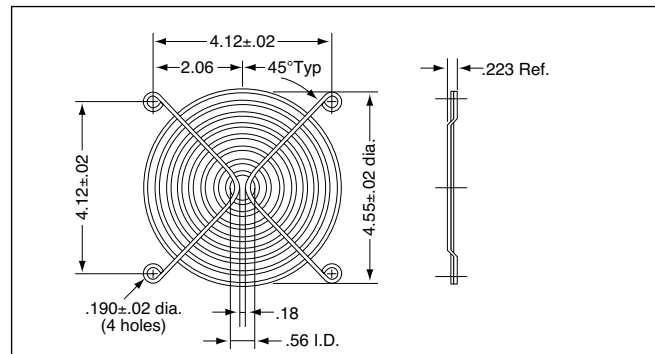
Part No. 5520 (Finger Guard Medium)



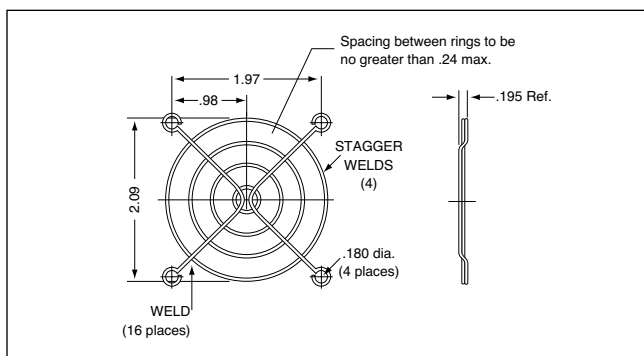
Part No. 5514 (Finger Guard Mini)



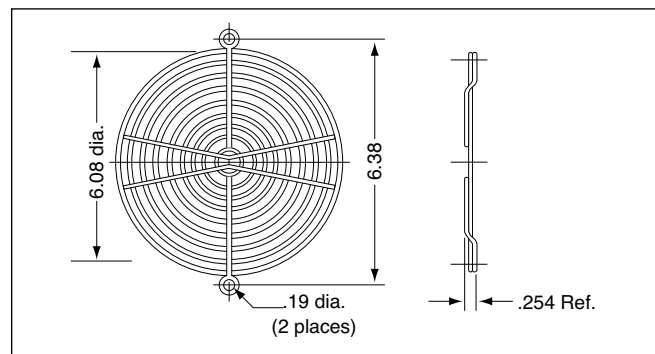
Part No. 5504 (Finger Guard Medium)



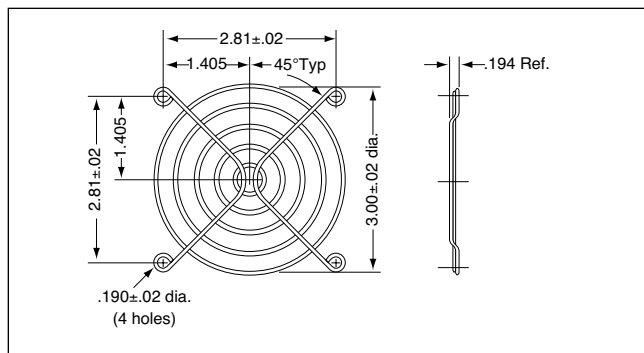
Part No. 5516 (Finger Guard Mini)



Part No. 5506 (Finger Guard Large)



Part No. 5508 (Finger Guard Small)



Product specifications contained herein may be changed without prior notice. It is therefore advisable to contact Purdy Electronics before proceeding with the design of equipment incorporating this product.