



PM033-115-8025B-4 PM033-230-8025B-4

Features

Size: 80 x 80 x 25 mm (3.2" x 3.2" x 1.0")

Airflow: 33 CFM

Weight: 200 grams (8 oz)

Noise: 33 dBA (avg.)

Lead Wire: AWG22

Impeller: Reinforced Plastic (94V-0)

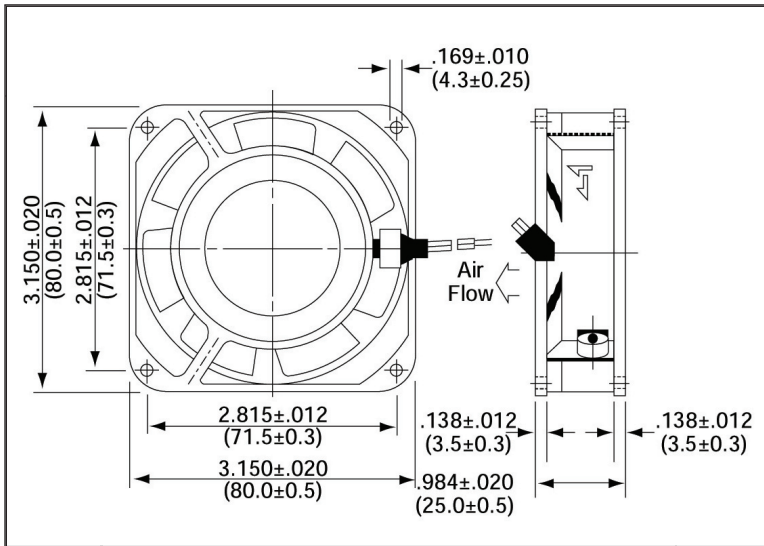
Frame: Aluminum Alloy

Bearings: Ball Sleeve

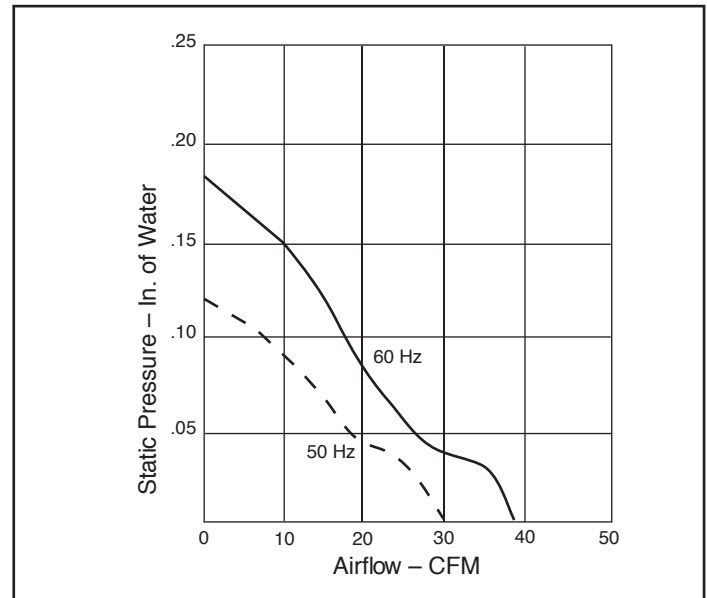
 UL E101153

 CUL E10115

Dimensions – inches mm



Air Flow vs. Air Pressure



Absolute Maximum Ratings

Type	Rated Voltage (V)	Operating Frequency (Hz)	Input Power (W) (@ 60 Hz)	Max Air Flow (CFM)	Max Air Pressure (in H2)	Max Noise* (dBA)	Operating Temperature (°C)	Life Expectancy (Hr) (@ 40 °C)
PM033-115-8025B-4	115	50/60	10	33	0.18	33	-20 ~ +85	60,000
PM033-230-8025B-4	230	50/60	10	33	0.18	33	-20 ~ +85	60,000

*Measured 1 m from intake