



PM037-115-8038BT-4 PM037-230-8038BT-4

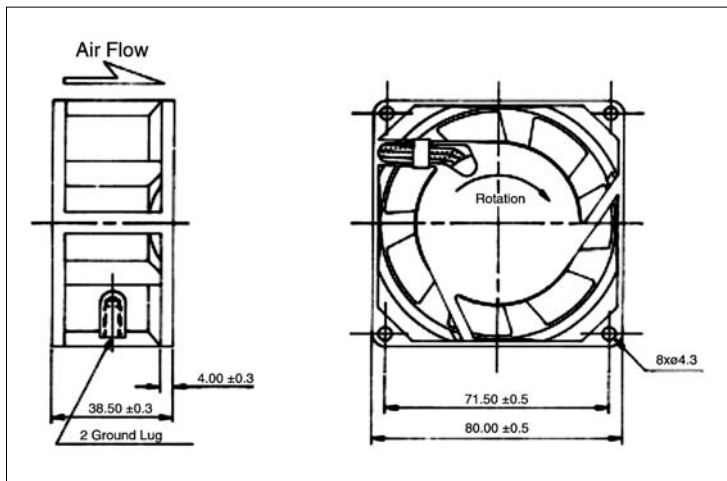
Features

Size:	80 x 80 x 38 mm (3.2" x 3.2" x 1.5")
Airflow:	37 CFM
Weight:	293 grams (10 oz)
Noise:	39 dBA
Terminal:	0.120 inches
Impeller:	Reinforced Plastic (94V-0)
Frame:	Aluminum Alloy
Bearings:	Sealed Ball

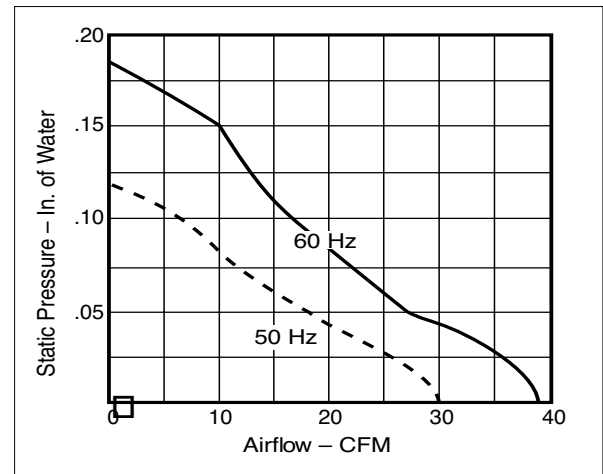


• RoHS Compliant

Dimensions – inches mm



Air Flow vs Air Pressure



Performance

Type	Rated Voltage (V)	Operating Frequency (Hz)	Input Power (W) (@ 60 Hz)	Max Air Flow (CFM)	Max Air Pressure (In H ₂ O)	Noise* (dBA)	Operating Temperature (°C)	Life Expectancy (Hr) (@ 20 ±15°C)
PM037-115-8038BT-4	115	50/60	12	37	0.18	39	-20~ +85	60,000
PM037-230-8038BT-4	230	50/60	12	37	0.18	39	-20~ +85	60,000

*Measured 1 m from intake

Product specifications contained herein may be changed without prior notice.

It is therefore advisable to contact Purdy Electronics before proceeding with the design of equipment incorporating this product.