



PM082-12D-4B

PM082-24D-4B

Features

Size:	120 x 120 x 25 mm (4.7" x 4.7" x 1.0")
Airflow:	82 CFM
Lead Wire:	AWG24 (UL1007)
Impeller:	Reinforced Plastic (UL94V-0)
Frame:	Aluminum Alloy
Bearings:	Sealed Ball



UL E101153



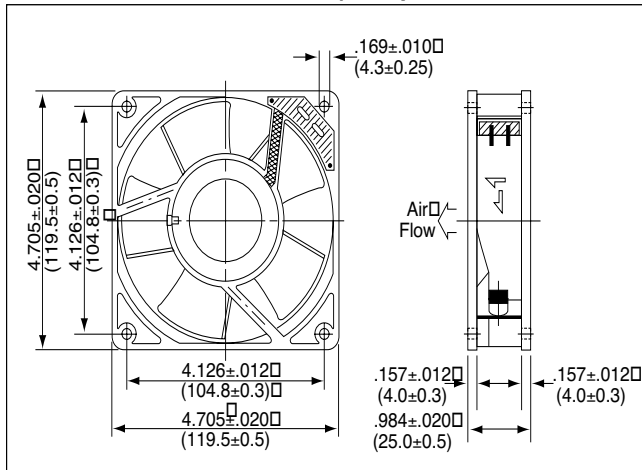
VDE 1187



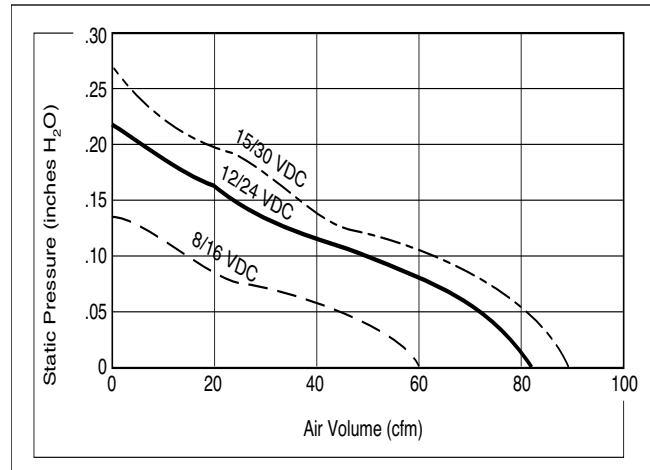
CSA LR74525

• RoHS Compliant

Dimensions – inches (mm)



Air Flow vs Air Pressure – PM082



Performance

Type	Rated Voltage (V)	Rated Current (A)		Max Air Flow (CFM)	Max Air Pressure (In H ₂ O)	Noise* (dBA)	Operating Voltage (V)	Operating Temperature (°C)	Life Expectancy (Hr)
		Locked	Moved						
PM082-12D-4B	12	0.800	0.560	82	.23	45	8~15	-10~ +70	50,000
PM082-24D-4B	24	0.440	0.280	82	.23	45	16~30	-10~ +70	50,000

*Measured 1 m from intake

Product specifications contained herein may be changed without prior notice.

It is therefore advisable to contact Purdy Electronics before proceeding with the design of equipment incorporating this product.