



PO002-05D-2510B-4

PO002-12D-2510B-4

Features

Size:	25 x 25 x 10 mm, (.98" x .98" x .39")
Airflow:	1.0 CFM (5V) 1.4 CFM (12V)
Weight:	8 g (0.28 oz)
Noise:	22 dBA – 29 dBA
Lead Wire:	AWG28 (UL1571 or UL1534)
Impeller/Frame:	Reinforced Plastic (UL94V-0)
Bearings:	Sealed Ball

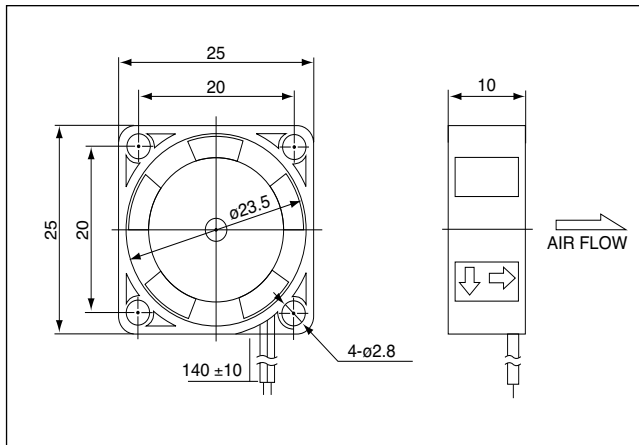


UL Pending

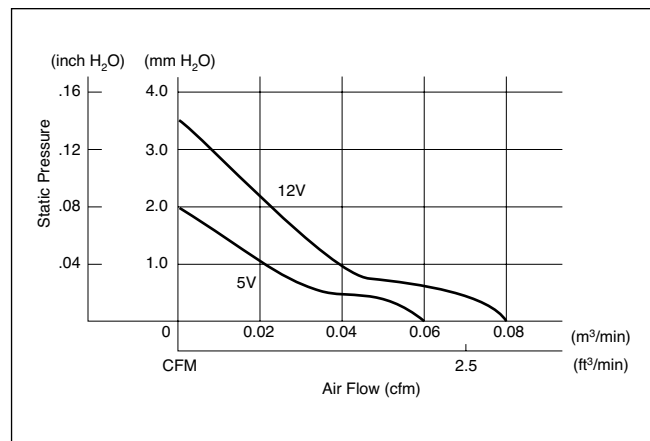


CSA Pending

Dimensions – mm



Air Flow vs Air Pressure



Performance

Type	Rated Voltage (V)	Rated Current (A)		Max Air Flow (CFM)	Max Air Pressure (In H ₂ O)	Noise* (dBA)	Operating Voltage (V)	Operating Temperature (°C)	Life Expectancy (Hr) (@ 25°C)
		Locked	Moved						
PO002-05D-2510B-4	5	0.12	0.06	2.3	0.173	25	4.5~ 5.5	-10~ +60	50,000
PO002-12D-2510B-4	12	0.12	0.06	2.3	0.173	25	10.2~13.8	-10~ +60	50,000

*Measured 1 m from side of fan

Product specifications contained herein may be changed without prior notice. It is therefore advisable to contact Purdy Electronics before proceeding with the design of equipment incorporating this product.