



PO006-12D-1B-2 PO006-24D-1B-2

Features

- Size: 40 x 40 x 13 mm (1.6" x 1.6" x 0.5")
- Airflow: 6.4 CFM
- Lead Wire: AWG26 (UL1007 or UL2468)
- Impeller/Frame: Reinforced Plastic (UL94V-0)
- Bearings: Sealed Ball



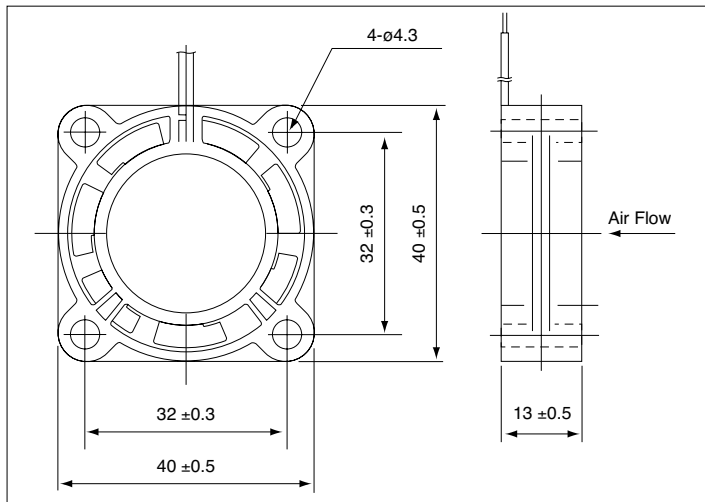
UL E101153



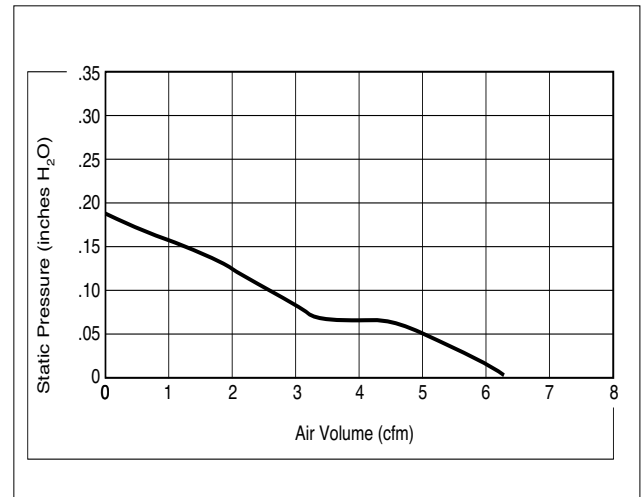
CSA LR83514

• RoHS Compliant

Dimensions – inches mm



Air Flow vs Air Pressure



Performance

Type	Rated Voltage (V)	Rated Current (A)		Max Air Flow (CFM)	Max Air Pressure (In H ₂ O)	Noise* (dBA)	Operating Voltage (V)	Operating Temperature (°C)	Life Expectancy (Hr) (@ 20 ±15°C)
		Locked	Moved						
PO006-12D-1B-2	12	.22	.15	6.4	.17	30	10.8~13.2	-20 ~ +60	70,000
PO006-24D-1B-2	24	.14	.08	6.4	.17	30	21.6~26.4	-20 ~ +60	70,000

*Measured 1 m from intake

Product specifications contained herein may be changed without prior notice. It is therefore advisable to contact Purdy Electronics before proceeding with the design of equipment incorporating this product.