



PO012-12D-2B-2 PO012-24D-2B-2

Features

Size: 60 x 60 x 25 mm (2.36" x 2.36" x 0.98")
 Airflow: 12 CFM
 Lead Wire: AWG24 (UL1007, CSA TR-64)
 Impeller/Frame: Reinforced Plastic (UL94V-0)
 Bearings: Sealed Ball



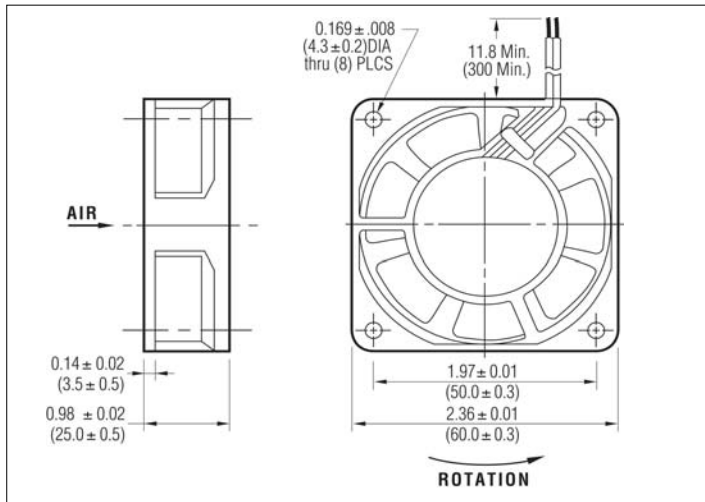
UL E101153



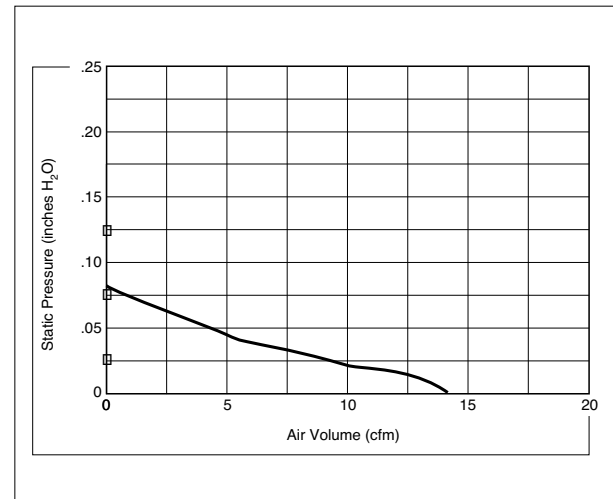
CSA LR74525

• RoHS Compliant

Dimensions – inches mm



Air Flow vs Air Pressure



Performance

Type	Rated Voltage (V)	Rated Current (A)		Max Air Flow (CFM)	Max Air Pressure (In H ₂ O)	Noise* (dBA)	Operating Voltage (V)	Operating Temperature (°C)	Life Expectancy (Hr) (@ 20°C ±20°)
		Locked	Moved						
PO012-12D-2B-2	12	.220	.080	12	0.094	23	10.2~13.8	-20 ~ +70	60,000
PO012-24D-2B-2	24	.110	.040	12	0.094	23	20.4~27.6	-20 ~ +70	60,000

*Measured 1 m from intake

Product specifications contained herein may be changed without prior notice. It is therefore advisable to contact Purdy Electronics before proceeding with the design of equipment incorporating this product.