



## PO014-12D-2B-3 PO014-24D-2B-3

### Features

Size:	62 x 62 x 15 mm (2.4" x 2.4" x 0.6")
Airflow:	14 CFM
Weight:	42 grams (1.5 oz)
Noise:	23 dBA
Lead Wire:	AWG26 (UL2464LF, CSA TR-64)
Impeller/Frame:	Reinforced Plastic (UL94V-0)
Bearings:	Sealed Ball

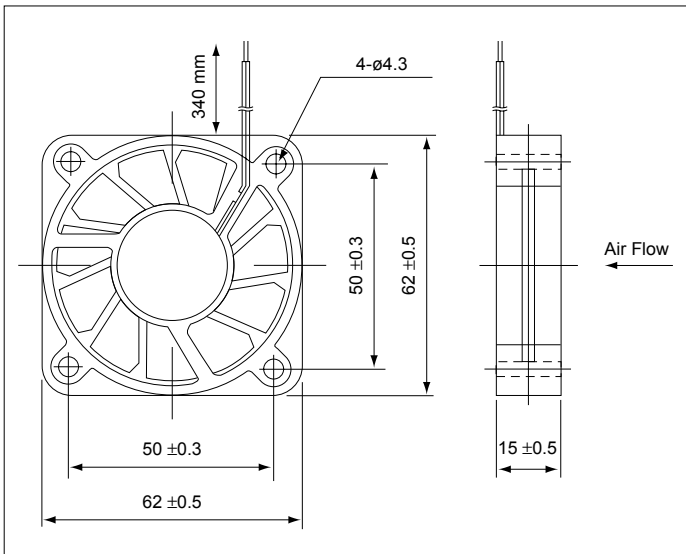


UL E101153

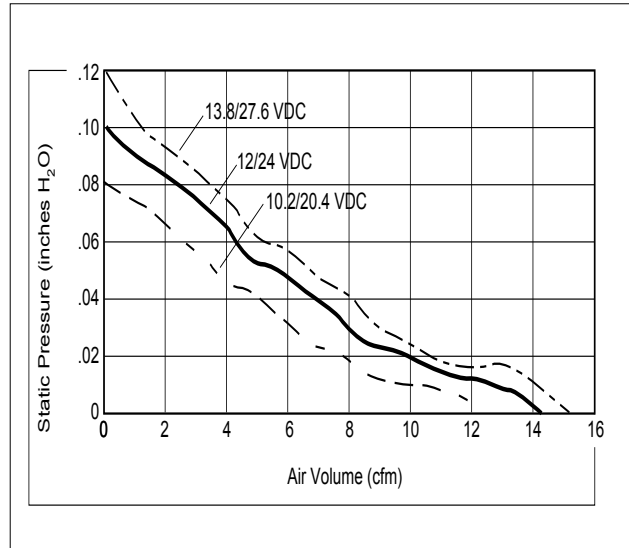


CSA LR83514

### Dimensions – inches mm



### Air Flow vs Air Pressure



### Performance

Type	Rated Voltage (V)	Rated Current (A)		Max Air Flow (CFM)	Max Air Pressure (In H <sub>2</sub> O)	Noise* (dBA)	Operating Voltage (V)	Operating Temperature (°C)	Life Expectancy (Hr) (@ 25°)
		Locked	Moved						
PO014-12D-2B-3	12	.22	0.20	14.0	0.10	30	10.2~13.8	-10~ +60	50,000
PO014-24D-2B-3	24	.15	0.10	14.0	0.10	30	20.4~27.6	-10~ +60	50,000

\*Measured 1 m from intake