



PO025-12D-3B-2 PO025-24D-3B-2

Features

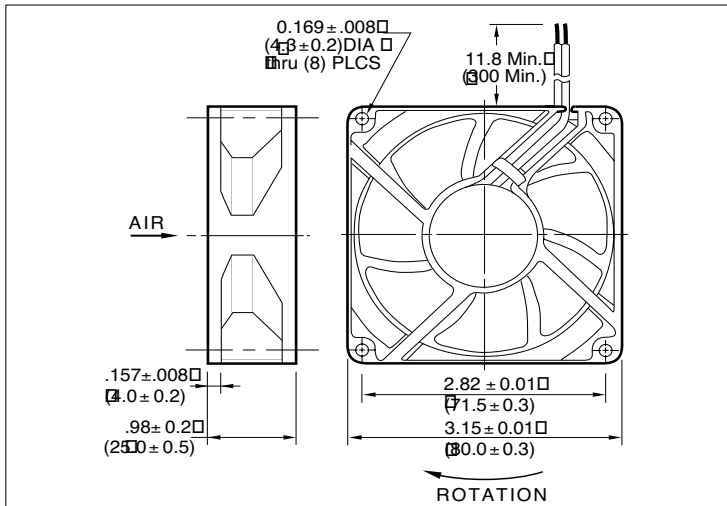
Size:	80 x 80 x 25 mm (3.2" x 3.2" x 1.0")
Airflow:	27 CFM
Weight:	85 grams (3.0 oz)
Noise:	25 dBA
Lead Wire:	AWG24 (UL1007, CSA TR-64)
Impeller/Frame:	Reinforced Plastic (UL94V-0)
Bearings	Sealed Ball

 UL E101153

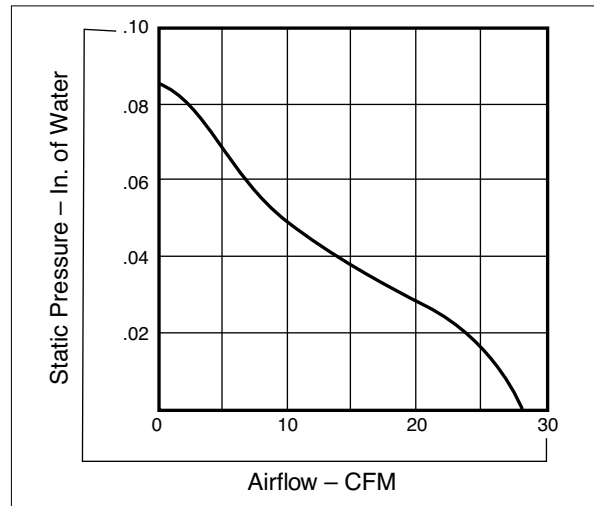
 CSA LR74525

• RoHS Compliant

Dimensions – inches (mm)



Air Flow vs Air Pressure



Performance

Type	Rated Voltage (V)	Rated Current (A)		Max Air Flow (CFM)	Max Air Pressure (In H ₂ O)	Noise* (dBA)	Operating Voltage (V)	Operating Temperature (°C)	Life Expectancy (Hr) (@ 20°C ±15°)
		Locked	Moved						
PO025-12D-3B-2	12	.200	.080	27	0.10	25	6~13.8	-20~ +70	60,000
PO025-24D-3B-2	24	.100	.040	27	0.10	25	10~27.6	-20~ +70	60,000

*Measured 1 m from intake

Product specifications contained herein may be changed without prior notice.

It is therefore advisable to contact Purdy Electronics before proceeding with the design of equipment incorporating this product.