



PO045-12D-9225B-4T PO045-24D-9225B-4T

Features

Size: 92 x 92 x 25 mm (3.62" x 3.62" x 1.0")
 Airflow: 45 CFM
 Lead Wire: AWG24 (UL1007)
 Weight: 101 g
 Noise: 31.3 dBA
 Impeller/Frame: Reinforced Plastic (UL94V-0)
 Bearings: Sealed Ball



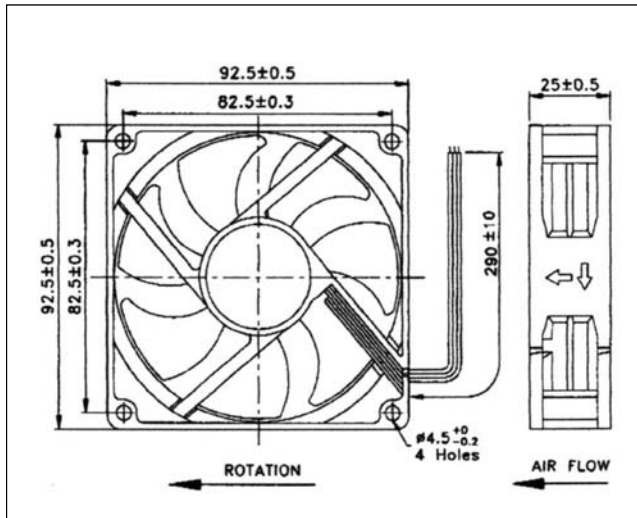
UL E101153



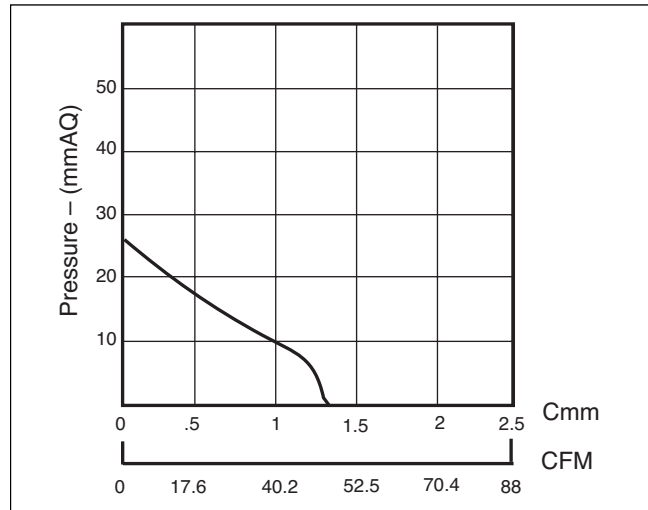
CSA LR74525

• RoHS Compliant

Dimensions – inches (mm)



Air Flow vs Air Pressure



Performance

Type	Rated Voltage (V)	Rated Current (A)		Max Air Flow (CFM)	Max Air Pressure (In H ₂ O)	Noise* (dBA)	Operating Voltage (V)	Operating Temperature (°C)	Life Expectancy (Hr) (@ 25°C ±15°)
		Locked	Moved						
PO045-12D-9225B-4T	12	.170	.	45	0.092	31.3	10.8~13.2	-25 ~ +65	50,000
PO045-24D-9225B-4T	24	.120	.	45	0.092	31.3	21.6~26.4	-25 ~ +65	50,000

* Measured 1 m from intake