



PO053-12D-3B-2

PO053-24D-3B-2

Features

Size: 92 x 92 x 32 mm (3.62" x 3.62" x 1.26")
 Airflow: 53 CFM
 Lead Wire: AWG24 (UL1007)
 Weight: 146 g (5.1 oz)
 Noise: 39 dBA
 Impeller/Frame: Reinforced Plastic (UL94V-0)
 Bearings: Sealed Ball



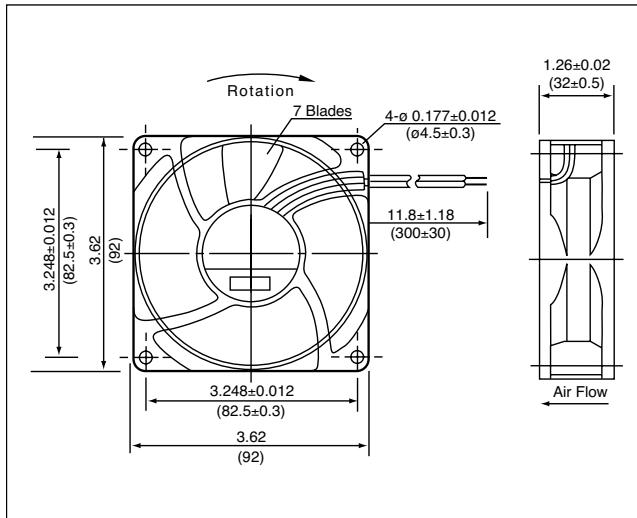
UL E101153



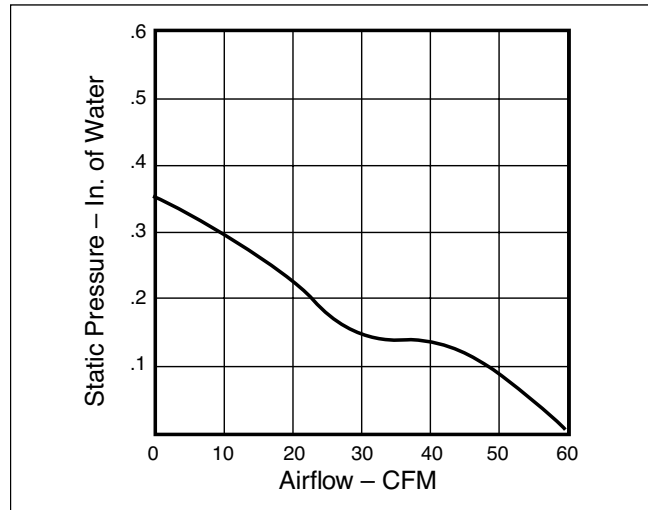
CSA LR74525

• RoHS Compliant

Dimensions – inches (mm)



Air Flow vs Air Pressure



Performance

Type	Rated Voltage (V)	Rated Current (A)		Max Air Flow (CFM)	Max Air Pressure (In H ₂ O)	Noise* (dBA)	Operating Voltage (V)	Operating Temperature (°C)	Life Expectancy (Hr) (@ 25°C ±15°)
		Locked	Moved						
PO053-12D-3B-2	12	.615	.280	53	0.26	39	10.2~13.8	-20 ~ +60	50,000
PO053-24D-3B-2	24	.350	.140	53	0.26	39	20.4~27.6	-20 ~ +60	50,000

* Measured 1 m from intake

Product specifications contained herein may be changed without prior notice.

It is therefore advisable to contact Purdy Electronics before proceeding with the design of equipment incorporating this product.