




PO078-12D-4B-2

PO078-24D-4B-2

Features

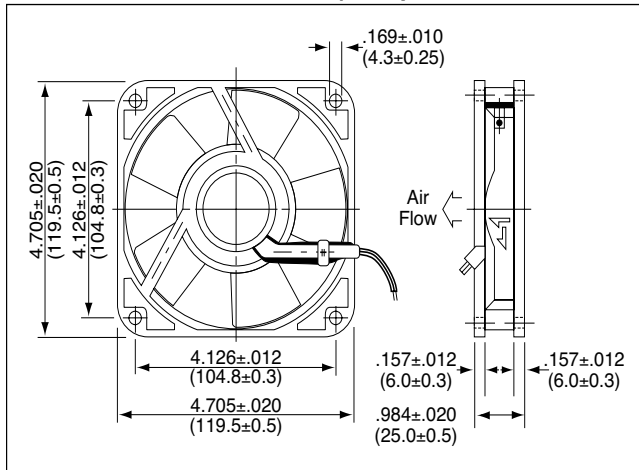
Size: 120 x 120 x 25 mm (4.7" x 4.7" x 1.0")
 Airflow: 78 CFM
 Lead Wire: AWG24 (UL1007)
 Impeller: Reinforced Plastic (UL94V-0)
 Frame: Reinforced Plastic (UL94V-0)
 Bearings: Sealed Ball

 UL E101153

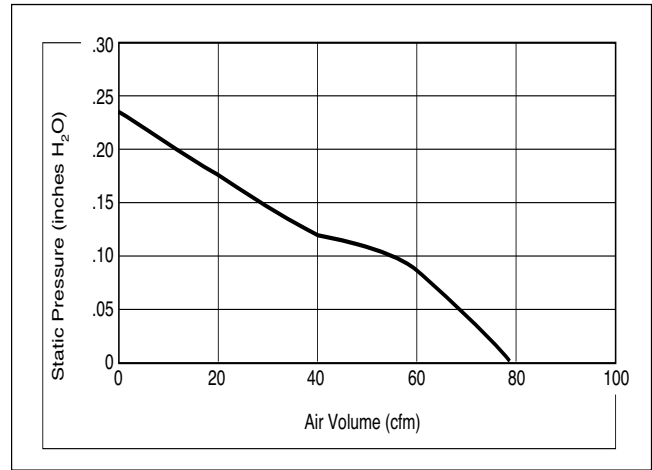
 CSA LR74525

• RoHS Compliant

Dimensions – inches (mm)



Air Flow vs Air Pressure – PO078



Performance

Type	Rated Voltage (V)	Rated Current (A)		Max Air Flow (CFM)	Max Air Pressure (In H ₂ O)	Noise* (dBA)	Operating Voltage (V)	Operating Temperature (°C)	Life Expectancy (Hr)
		Locked	Moved						
PO078-12D-4B-2	12	0.800	0.370	78	.24	42	8~15	-20 ~ +60	50,000
PO078-24D-4B-2	24	0.460	0.230	78	.24	42	16~30	-20 ~ +60	50,000

*Measured 1 m from intake

Product specifications contained herein may be changed without prior notice. It is therefore advisable to contact Purdy Electronics before proceeding with the design of equipment incorporating this product.