



PO106-12D-4B-7 PO106-12D-4BT-7

Features

Size:	120 x 120 x 38 mm (4.7" x 4.7" x 1.5")
Airflow:	108 CFM
Weight:	250 - 260 grams (8.8-9.2 oz)
Lead Wire:	AWG24 (UL1007, CSA TR-64)
Impeller/Frame:	Reinforced Plastic (UL94V-0)
Bearings:	Sealed Ball



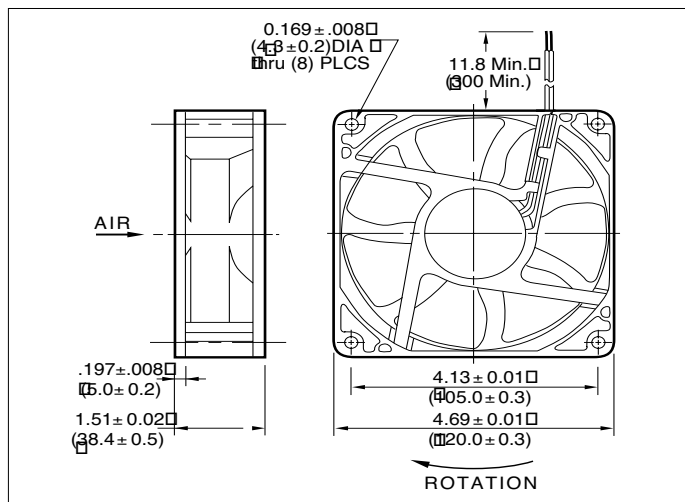
UL E101153



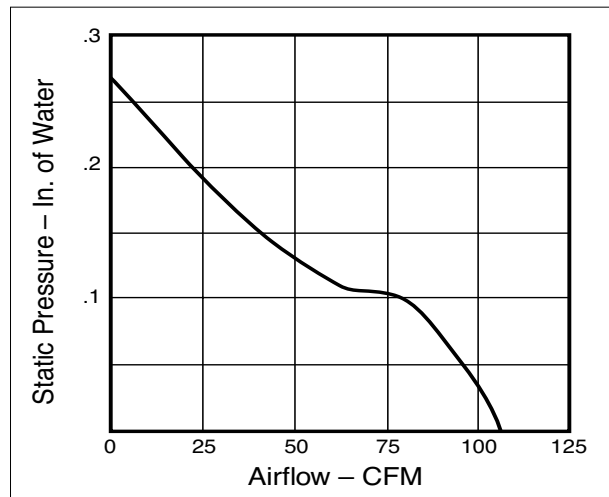
CSA LR74525

• RoHS Compliant

Dimensions – inches mm



Air Flow vs Air Pressure



Performance

Type	Rated Voltage (V)	Rated Current (A)		Max Air Flow (CFM)	Max Air Pressure (In H ₂ O)	Noise* (dBA)	Operating Voltage (V)	Operating Temp. (°C)	Life Expectancy (Hr) (@ 25°C ±20°)
		Locked	Moved						
PO106-12D-4B-7	12	2.15	0.55	108	0.27	43	6~13.8	-10 ~ +70	60,000
PO106-12D-4BT-7	12	2.15	0.55	108	0.27	43	6~13.8	-10 ~ +70	60,000

*Measured 1 m from intake

Product specifications contained herein may be changed without prior notice.

It is therefore advisable to contact Purdy Electronics before proceeding with the design of equipment incorporating this product.