



POB28-12D-5B-2 POB28-24D-5B-2

Features

• RoHS Compliant

Size:	126 x 127 x 31 mm (4.96" x 5" x 1.54")
Airflow:	28 CFM
Lead Wire:	24AWG (UL1007)
Impeller/Frame:	ABS/PBT Synthetic Resins
Motor:	Brushless DC Motor (Auto reset current shut down by detecting locked motor condition)
Bearings	Double Sealed Ball
Safety Approval:	UL, CSA

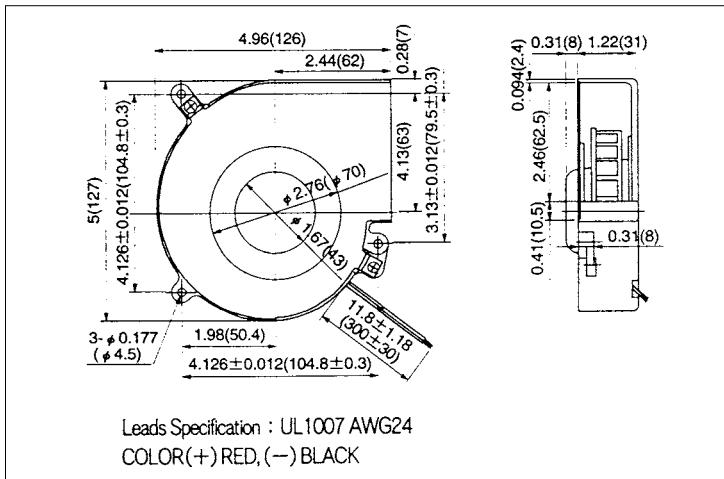


UL E101153

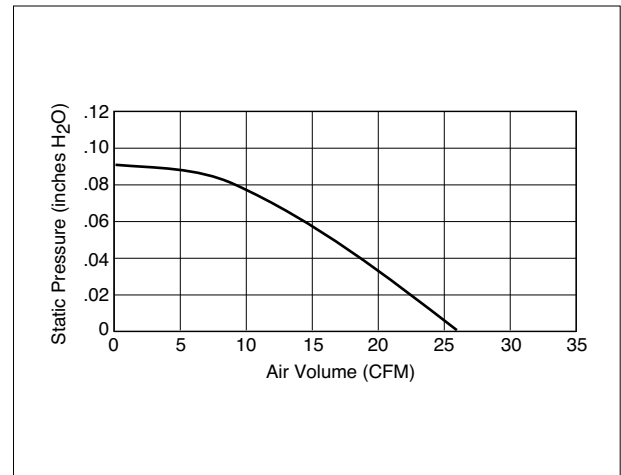


CSA LR62263

Dimensions – inches mm



Air Flow vs Air Pressure



Performance

Type	Rated Voltage (V)	Applic. Voltage	*Max. Air Flow		Max. Static Pressure		Rated				Operating Temp. (°C)	Life Expect. (Hr) @20C±15
			m ³ /min	CFM	H ₂ O	Pa	Speed rpm	Noise dBA	Input W	Current mA		
POB28-12D-5B-2	12	±15	0.79	28	1.01	250	2500	47	8	490	-20~ +70	70,000
POB28-24D-5B-2	24	±15	0.79	28	1.01	250	2500	47	8	280	-20~ +70	70,000

*Measured 1 Meter from intake

Product specifications contained herein may be changed without prior notice.

It is therefore advisable to contact Purdy Electronics before proceeding with the design of equipment incorporating this product.