

Q Series

FEATURES

- Compact design, substantial space saving
- Simple assembly
- CE approved types

The essential features of the thumb-wheel switch are its high reliability, precision and contact endurance.

Interswitch thumbwheel switches are used in machine tool control systems, measurement and test units, control and regulation systems, computer systems, sound and vision control systems, telecommunications, medical measurement systems, etc.



Product specifications contained herein may be changed without prior notice. It is therefore advisable to contact Purdy Electronics before proceeding with the design of equipment incorporating this product.

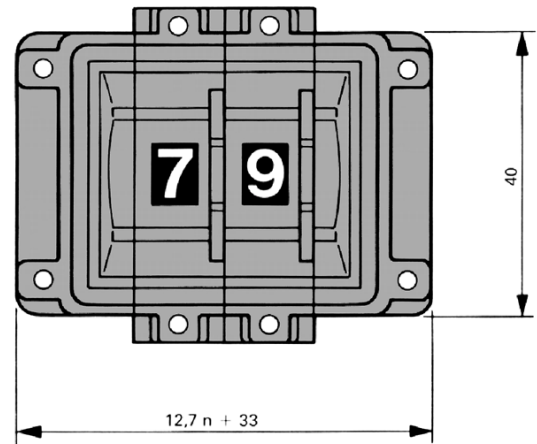
SPECIFICATIONS

Rates current (resistive load)	100 mA AC/DC		
Max. current carrying capacity	2 A AC/DC		
Max. working voltage	max. 50 V AC/DC		
Test voltage	500 V DC		
Insulation voltage (to frontpanel)	1000 V AC/DC		
Insulation resistance (+20°C)	10 ⁵ MOhm		
Contact resistance (ind. PCB)	100 MOhm		
Servicelife (switch operations at 50V/0.1 A)	min. 10 ⁵		
Permissible ambient temperature	-40° ... +85°C		
10 positions	Yes	Direct solder connections	Yes
16 positions	No	Edge connections	Yes
Decimal	Yes	Solder pins	Yes
Binary	No	Wire wrap pins	Yes
Binary + Complement	Yes	Rear mounting	Yes
PCB for diode mounting	Yes		

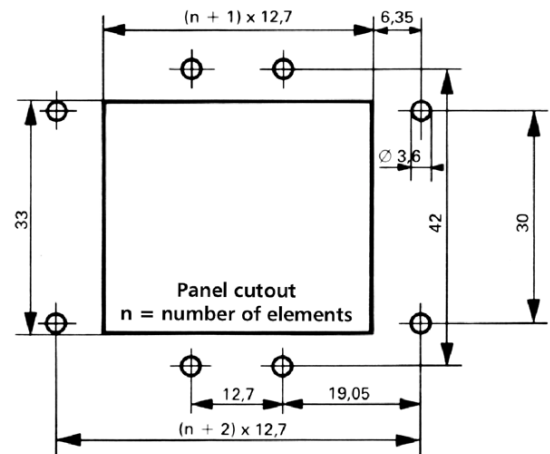
Dimensions	
Width in mm	12.7
Height in mm	33
Mounting depth in mm	min. 47
Character height in mm	8

Range of Applications per DIN 40 040 (Ambient Conditions)	
Lower temperature limit (DIN 40 040, G)	• min. -40 °C
Upper temperature limit (DIN 40 040, P)	max. +85 °C
Relative humidity (annual average, DIN 40 040, E)	57%
Relative humidity (30 days per year, DIN 40 040, E)	90%
Atmospheric pressure (DIN 40 040, T)	à 4300 m
Shock (DIN 40 040, T)	8 m/s/30g
Vibration	10-500 Hz/10g

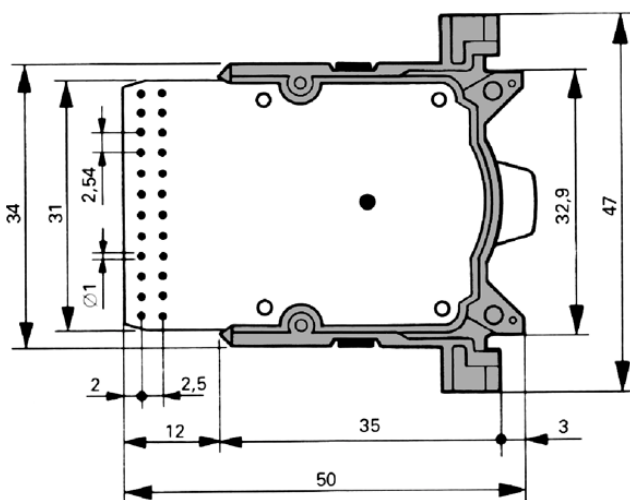
Front View



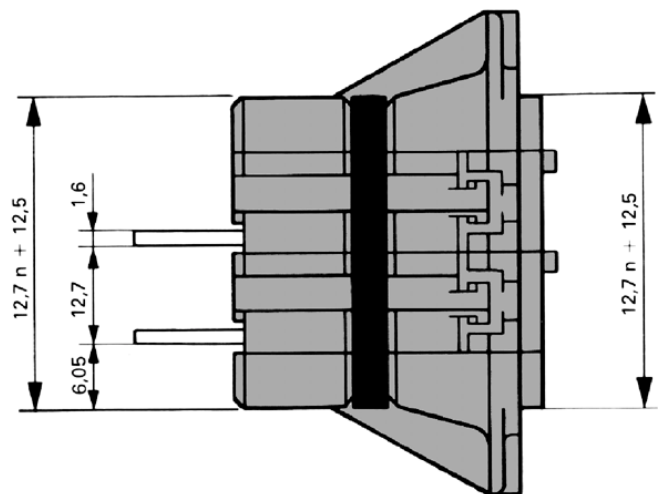
Panel Cut-Out



Side View

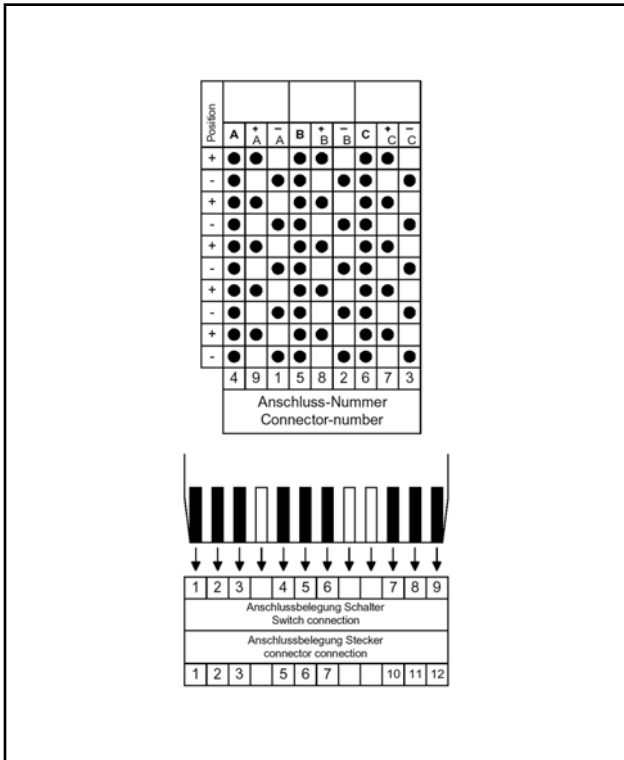


Top View



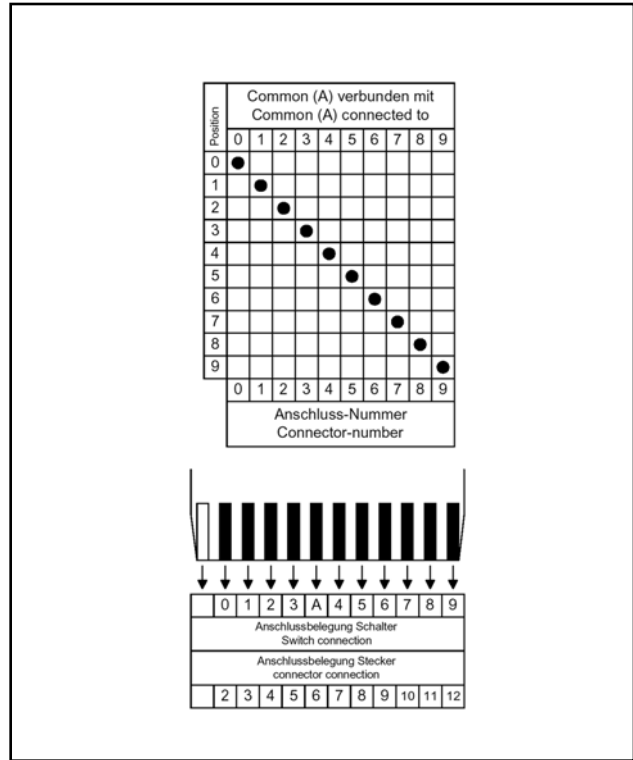
Code 001

Two pole change-over switch with and without diodes



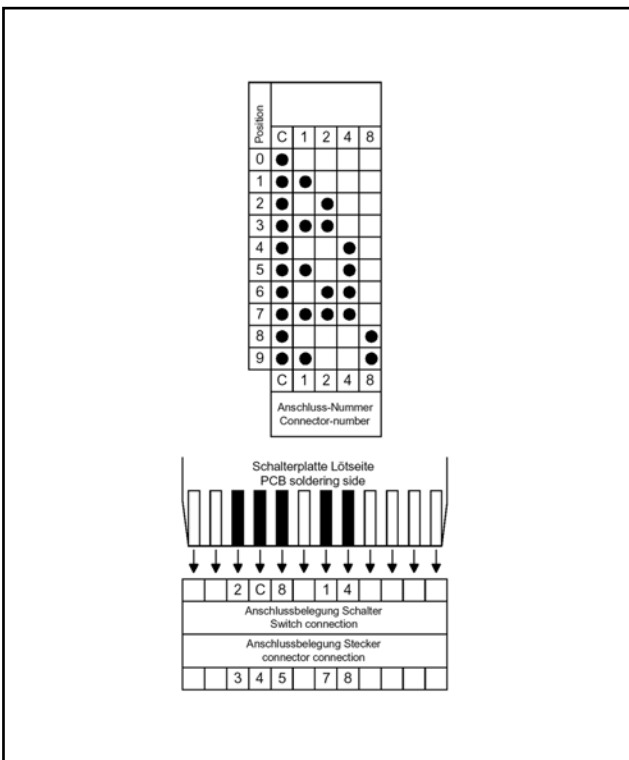
Code 010

Decimal 0-9



Code 731

BCD Positive



Code 861

BCD negative

