

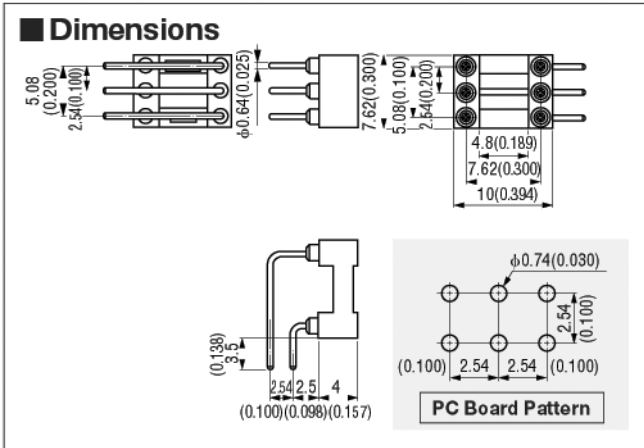
AS01006-390T Right Angle Socket

FEATURES

Enables RDS DIP switch to be mounted in upright position

High reliability machined contact

Product specifications contained herein may be changed without prior notice. It is therefore advisable to contact Purdy Electronics before proceeding with the design of equipment incorporating this product.



SPECIFICATIONS

Current rating	1A per contact
Contact resistance	30m Ω max.
Insulation resistance	5,000 M Ω min. at 500V DC
Dielectric withstanding voltage	AC1000V for 1 minute
Operating temperature	-55°C ~ +85°C

MATERIAL

Insulator	Glass-filled PBT (UL94V-0)
Inner contact	Copper alloy Tin alloy over nickel
Outer sleeve	Brass Tin alloy over nickel